

Hallicrafters, Inc.

Model: 5T

Chassis:

Year: Pre October 1937

Power:

Circuit:

IF:

Tubes:

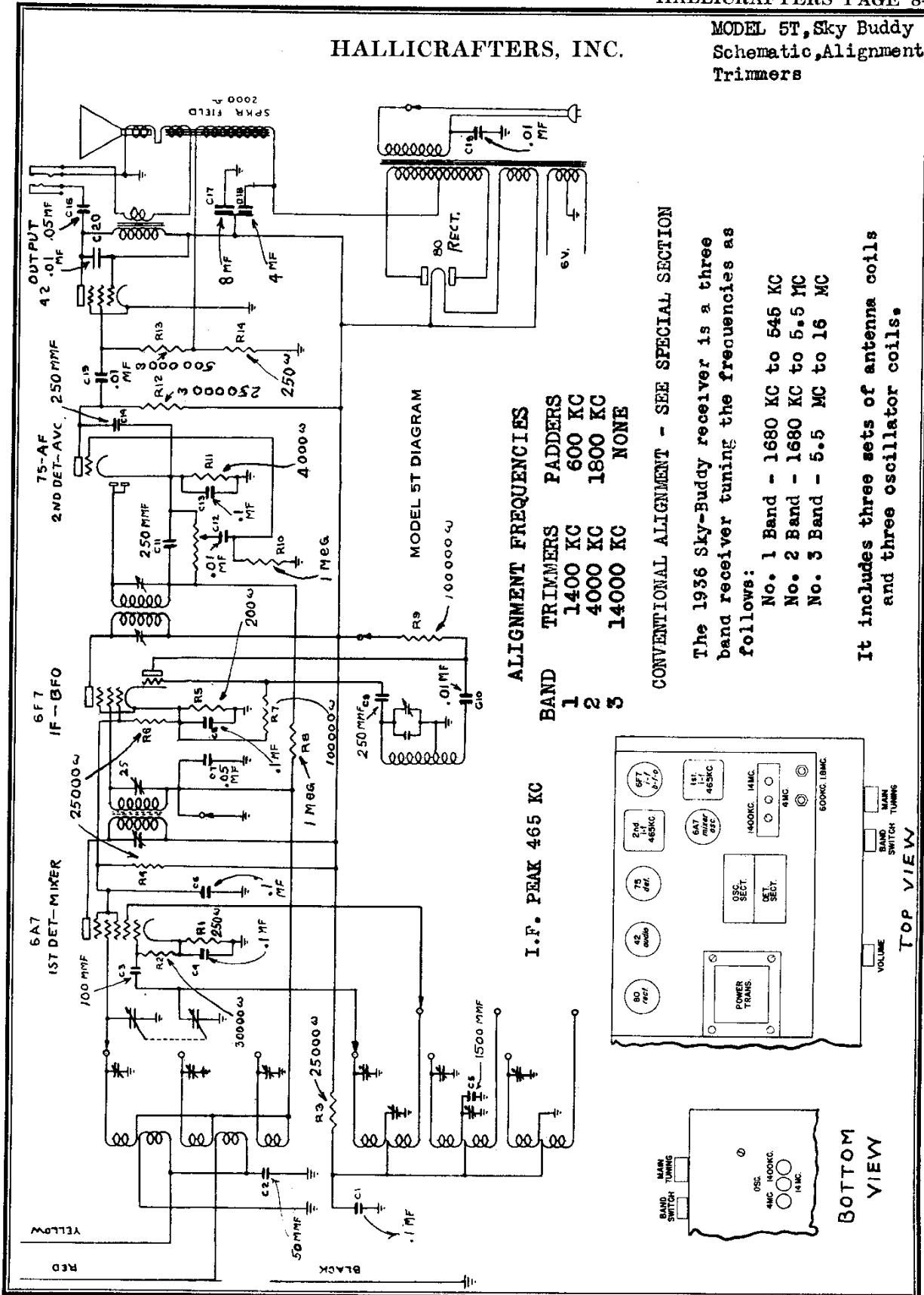
Bands:

Resources

Riders Volume 8 - HALLICRAFTERS 8-1

HALLICRAFTERS, INC.

MODEL 5T, Sky Buddy Schematic, Alignment Trimmers



ALIGNMENT FREQUENCIES

BAND	TRIMMERS	PADDERS
1	1400 KC	600 KC
2	4000 KC	1800 KC
3	14000 KC	NONE

CONVENTIONAL ALIGNMENT - SEE SPECIAL SECTION

The 1936 Sky-Buddy receiver is a three band receiver tuning the frequencies as follows:

- No. 1 Band - 1680 KC to 545 KC
- No. 2 Band - 1680 KC to 5.5 MC
- No. 3 Band - 5.5 MC to 16 MC

It includes three sets of antenna coils and three oscillator coils.

I.F. PEAK 465 KC

